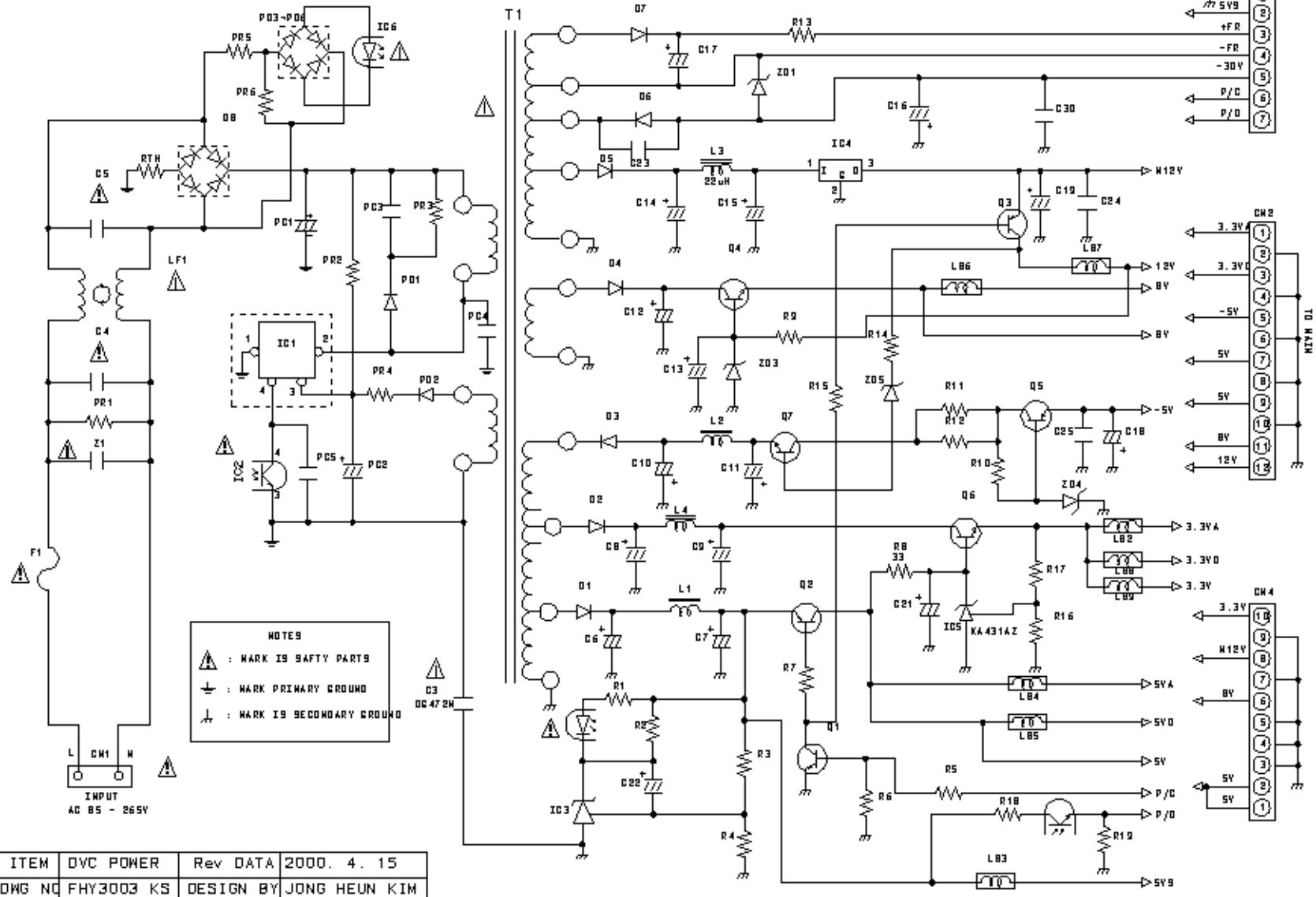


# HY-30R

LOAD TABLE				
3.5V/0.7A	5V/0.1A	5V 0.65A	8V 0.3A	12V/0.4A
-5V/0.03	-30V/0.03A	4.5V/0.15A		



NOTES

- ▲ : MARK IS SAFTY PARTS
- ▲+ : MARK PRIMARY GROUND
- ▲- : MARK IS SECONDARY GROUND

ITEM	DVC POWER	Rev DATA	2000. 4. 15
DWG NO	FHY3003 KS	DESIGN BY	JONG HEUN KIM